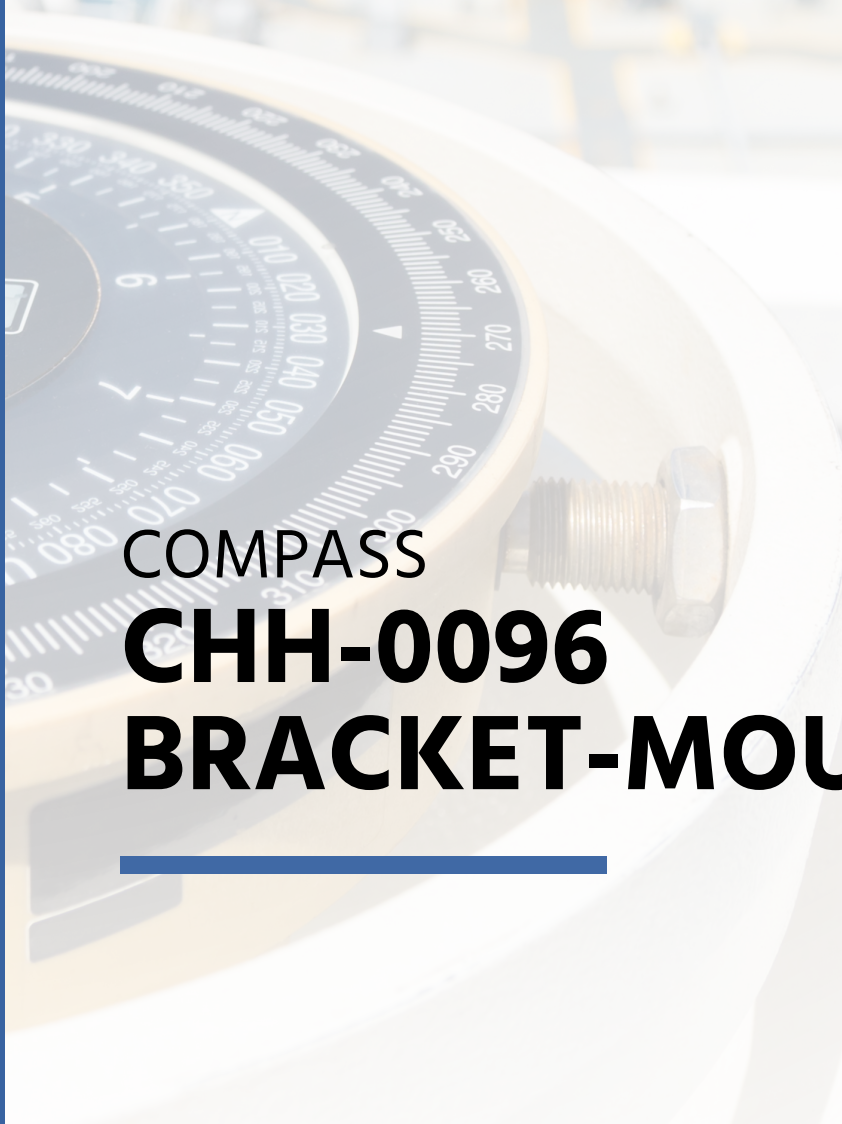




AUTONAUTIC
the compass specialist

PRODUCT DATASHEET



COMPASS

CHH-0096

BRACKET-MOUNT



SKU CHH-0096

Bracket-Mount Wheelmark/SOLAS compass

CHH-0096 BRACKET-MOUNT

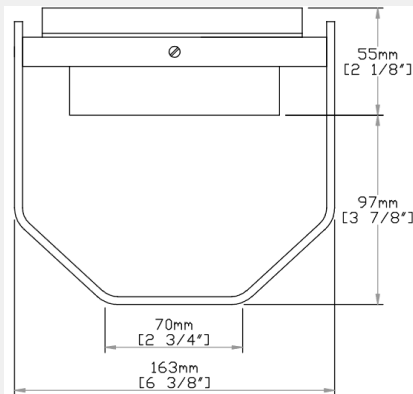


OVERVIEW

The CHH-0096 is a fully gimballed marine compass based on a traditional design. The unit comprises a fully gimballed compass mounted on a marinated aluminium bracket with a deck shoe for easy mounting.

FEATURES

- 100mm flat card
- 2.5° graduation
- 1 lubber line
- Individual MED/SOLAS certificate included
- 360° gimbal
- Exclusive-5 year warranty
- 100% repairable



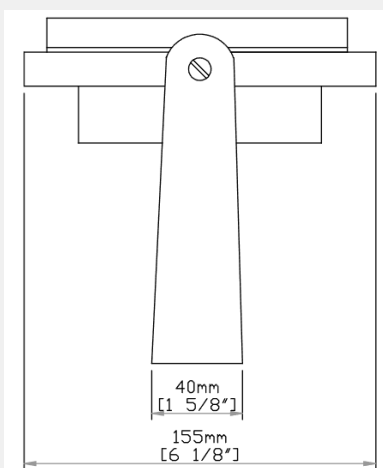
APPROVALS

- Directive 2014/90/EC on marine equipment
- ISO 25862:2019
- ISO 9001 certified management system



**ISO
25862**

Click [here](#) to see EC Type Examination (Module B) Certificate



Member of CISQ Federation



CERTIFIED MANAGEMENT SYSTEM
ISO 9001

www.autonauticinstrumental.com
info@autonauticinstrumental.com
Agricultura 22, El Masnou (08320), Barcelona
+34 93 540 99 49



www.autonauticinstrumental.com
info@autonauticinstrumental.com

The world's lead specialist company in magnetic compasses