



AUTONAUTIC
the compass specialist

PRODUCT DATASHEET

COMPASS

C9-0031

**BULKHEAD-MOUNT
POWER & SAILBOATS**

SKU C9-0031

Bulkhead Mount Wheelmark/SOLAS compass

C9-0031

BULKHEAD-MOUNT POWER & SAILBOATS



OVERVIEW

The C9 bulkhead compass is a modern and stylish class B compass suitable for small commercial vessels, lifeboats, fast rescue boats and leisure craft.

The compass is available in black, white or silver with an 85mm black card. The compass has an integral clinometer, making it popular for sail boat applications.

The compass is supplied with dual voltage illumination as standard.

FEATURES

85mm conical card

5° graduation

Anti-glare screen

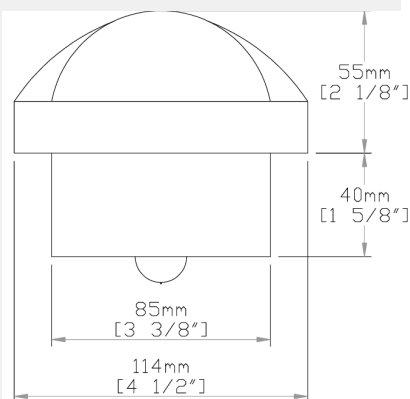
12/24 V lighting

Individual MED/SOLAS certificate included

Repairable

5 years warranty

85mm mounting hole



APPROVALS

Directive 2014/90/EC on marine equipment

ISO 25862:2019

ISO 9001 certified management system



ISO
25862

Click [here](#) to see EC
Type Examination
(Module B) Certificate

Member of CISQ Federation



CERTIFIED MANAGEMENT SYSTEM
ISO 9001

www.autonauticinstrumental.com
info@autonauticinstrumental.com
Agricultura 22, El Masnou (08320), Barcelona
+34 93 540 99 49



www.autonauticinstrumental.com
info@autonauticinstrumental.com

The world's lead specialist company in magnetic compasses